

Hydac-Ventil OC 1436140 Hydac-Ventil LS 1436150

Valve housings without relief valve cavities are also available.

13 Replaces TBD160/TBSD160.

11 Note! Only in outer cavities.

OC - Valve housing with PRV

LS - Valve housing without PRV

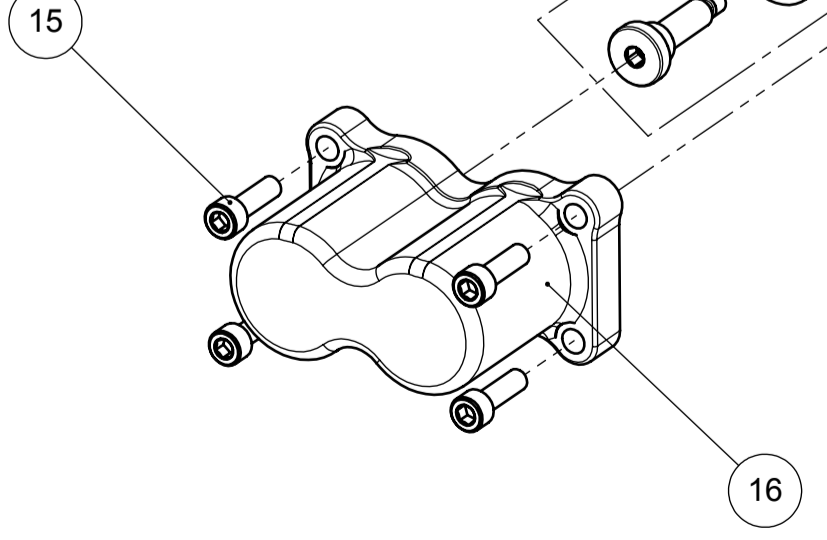
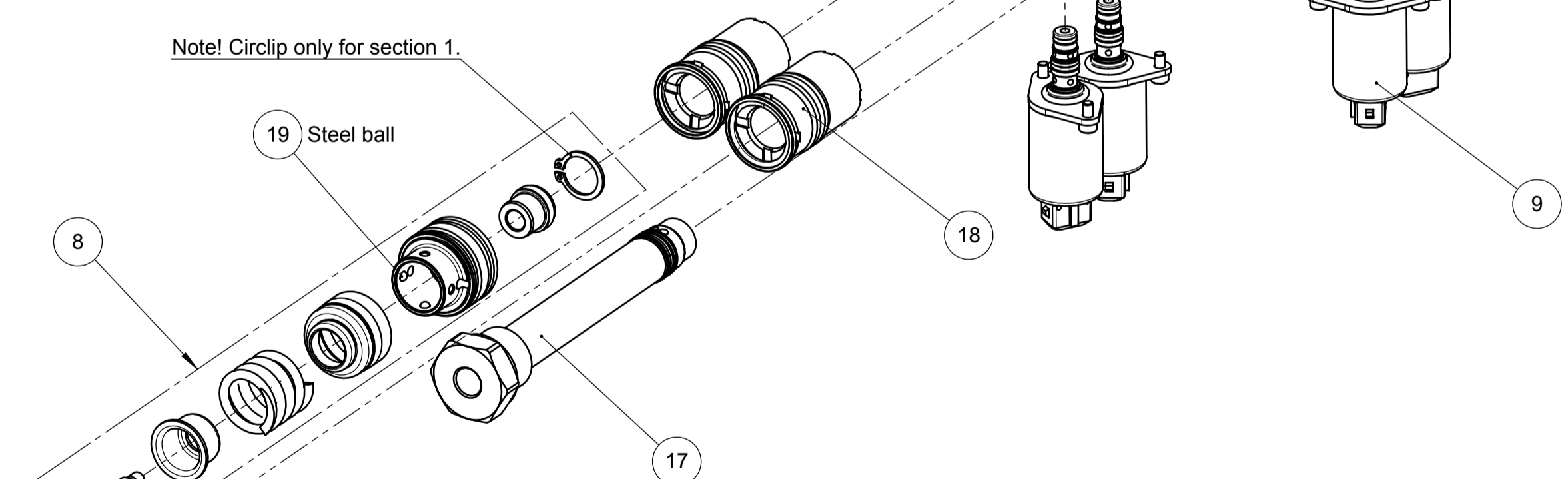
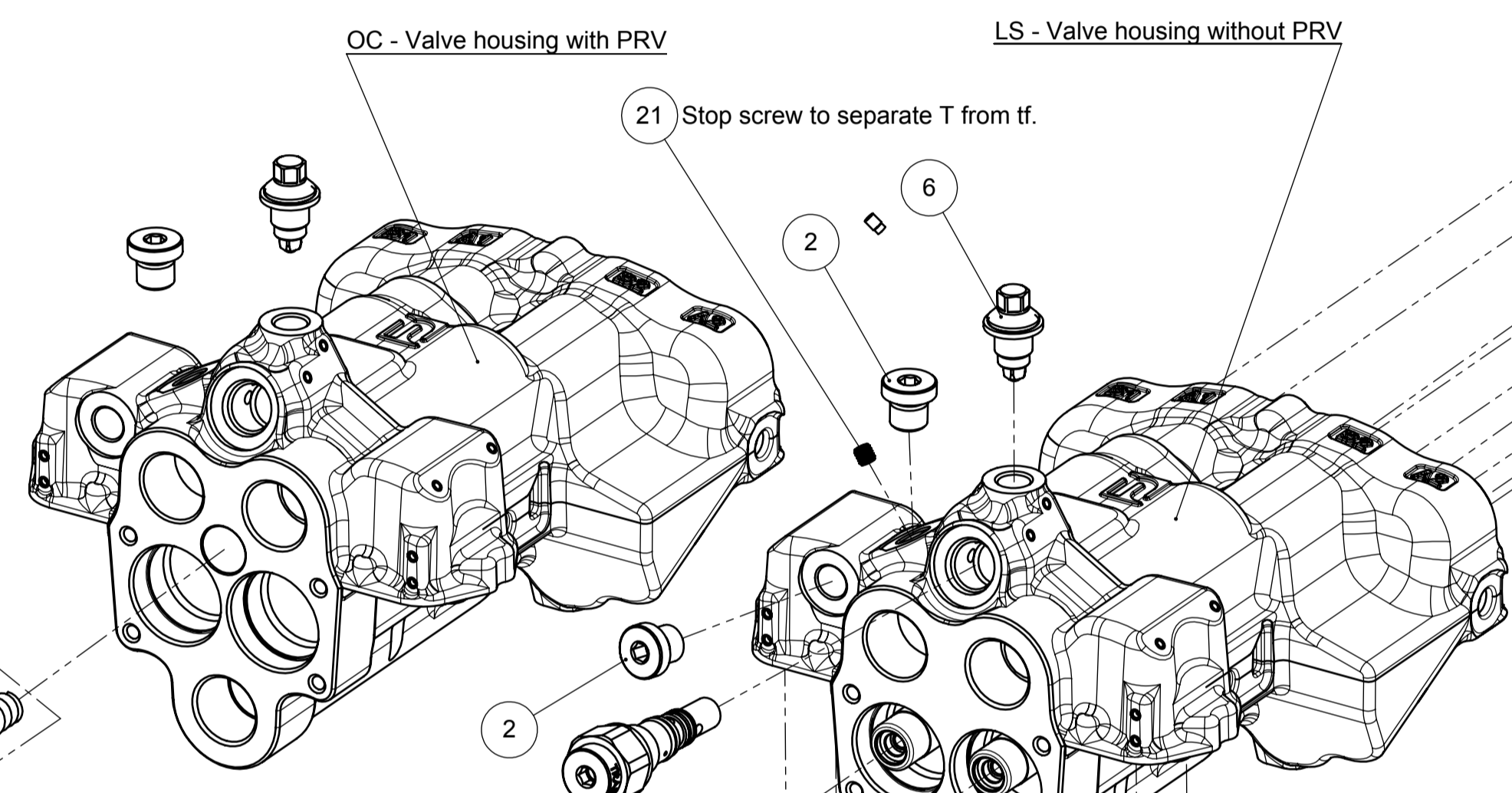
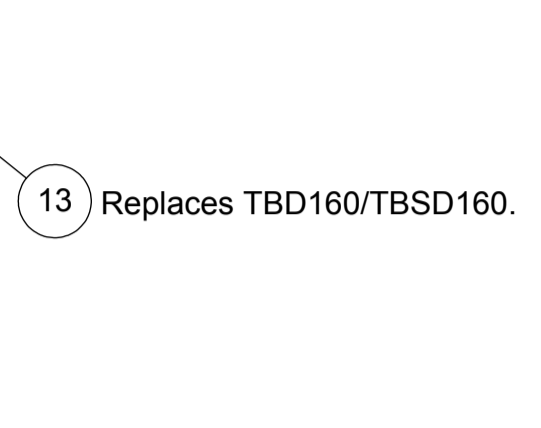
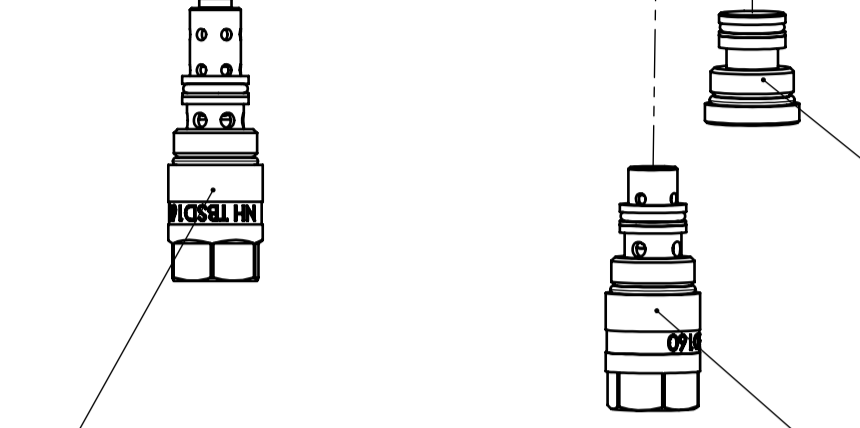
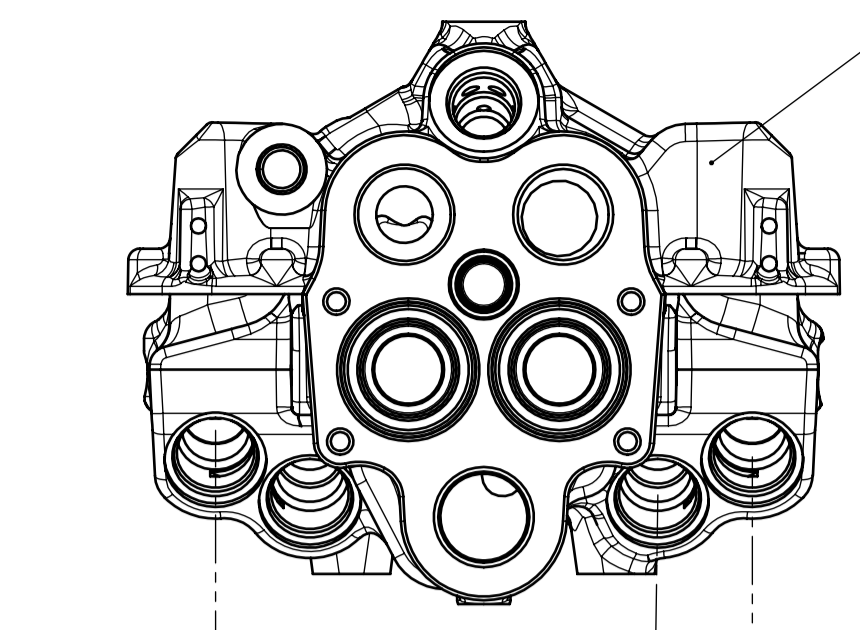
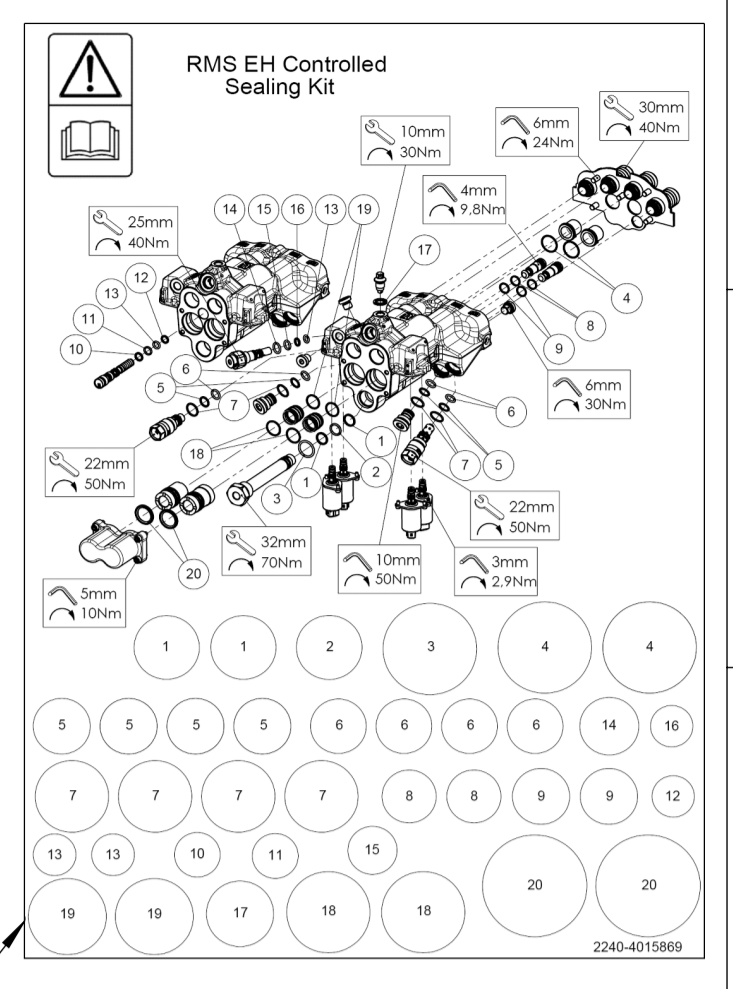
21 Stop screw to separate T from tf.

10 Only for OC.

Note! Circlip only for section 1.

19 Steel ball

20 Sealing kit



EWMS-EHP OC / LS

<u>Position</u>	<u>Anzahl</u>	<u>Bestellnr.</u>	<u>Bezeichnung</u>	
1	2	1438480	Cover cap. Asm	2230-3979115
2	3	1437770	PG02 PLUG G 1/4"	2310-800925
3	4	1436050	RELIEF VALVE TBD 160 220BAR	3095-3887437
4	1	1437740	COVER PLATE	3115-3869397
5	5	0439760	SOCKET SCREW M8x16 8.8 A2J	8300-080162
6	1	1438390	CHECK VALVE	2230-803321
7	1	1438410	TRA 53 (24 BAR)	1505-210710
8	1	1438420	SPARE PART FOR SPOOL EH	2230-3988279
9	4	1438430	THOMASMAG TM70301-B 12V	8010-000215
10	1	1437830	TBD 90 200BAR	2275-3805986
11	1		TBSD 160	2275-210540
12	1	1437790	TBD 160	2275-160338ST
13	1	1437780	PLUG P 400	2310-210313
14	2	1437760	CHECK VALVE	2230-802588
15	4	1406020	SOCKET SCREW M8x16 8.8 A2J	8300-060202
16	1	1438440	COVER HOOD	8140-3880931
1	1	1438400	SHUTTLE ASM: SV02	2251-3899945
18	2	1438450	SLEEVE ASM	2230-3897434
19	4	1437880	STEEL BALL 4mm	8075-000008
20	1	1438460	SEALING KIT	2240-4015869
21	1	1438470	STOP SCREW P6SS M6X6	8320-060061
	1	3600090	Ausrüstung Ventilhalter	
	1	3600200	Schr.-Beutel 3/4" 18L für LS	
	1	3600130	Schr.-Beutel 3/4" 18L für OC	
	1	1437160	Staubkappe blau	
	1	1437170	Staubkappe gelb	
	1	1437180	Staubkappe rot	
	1	1437190	Staubkappe grün	